

Job Name/Location:

Tag No.:

Date:

For:	File	Resubmit
	Approval	Other_____

PO No.:

Architect: _____ GC: _____

Engr: _____ Mech: _____

Rep: _____
(Company) (Project Manager)



LA120HYV3

DUALCOOL™ PRESTIGE Single Zone Inverter

Outdoor Unit (ODU) - LAU120HYV3 Indoor Unit (IDU) - LAN120HYV3

Performance:

Cooling:

Cooling Capacity (Min~Rated~Max) (Btu/h)	1,023 ~ 12,000 ~ 13,785
SEER2	25.5
EER2	13.8

SEER - Seasonal Energy Efficiency Ratio EER - Energy Efficiency Ratio

Heating:

Heating Capacity (Min~Rated~Max) (Btu/h)	1,023 ~ 13,600 ~ 22,178
HSPF2	11.2
Max. Heating @ Indoor 70°F DB	
Outdoor 17°F WB	14,760
Outdoor 5°F WB*	13,600
Outdoor -13°F WB	9,640

HSPF - Heating Seasonal Performance Factor

*The Capacities at 5°F does not refer to H42 testing conditions.

Cooling Nominal Test Conditions:

Indoor: 80°F DB / 67°F WB
Outdoor: 95°F DB / 75°F WB

Heating Nominal Test Conditions:

Indoor: 70°F DB / 60°F WB
Outdoor: 47°F DB / 43°F WB

Outdoor Unit:

MOP (A)	15
MCA (A)	11.2
Cooling / Heating Rated Amps (A)	8.7/8.7
Compressor (A)	8.3
Fan Motor (A)	0.4

MOP - Maximum Overcurrent Protection

MCA - Minimum Circuit Ampacity

Total Power Input:

Cooling Power Input (kW)	0.87
Heating Power Input (kW)	0.97

Piping:

Liquid Line (in., O.D.)	1/4
Vapor Line (in., O.D.)	3/8
Additional Refrigerant (oz./ft.)	0.22
Min. / Max. Pipe Length (ft.) ²	9.8 / 65.6
Piping Length (no add'l refriger., ft.)	24.6
Max. Elevation (ft.)	39.4

Features:

- 24-Hour on/off timer
- 4-Way auto swing
- Auto changeover
- Auto restart
- Jet cool/Jet heat
- Built-in low ambient standard, down to 14°F (cooling mode)
- Chaos Wind
- Condensate Sensor Connection
- Defrost Control
- Dehumidifying Mode
- Hot Start
- Inverter (variable speed compressor)
- Smart Diagnosis
- Washable Filter
- Soft Dry Operation
- Self-cleaning indoor coil
- Built-in base pan heater
- Cooling only/heating only function
- Built-in Wi-Fi via Smart ThinQ app

Optional Accessories:

- Delux Remote Controller - PREMTA200
- Premium Remote Controller - PREMTA000
- Progm Remote Controller - PREMTB100
- MultiSITE™ CRC2 - PREMTBVC2
- Dry Contact 3rd Party Thermostat - PDRYCB320
- AC Smart 5 - PAC5SA000
- ACP 5 - PACP5A000
- Low Ambient Wind Baffle (Cooling operation to 0°F) -PAG-H50/PAG-HS1

Operating Range:

Outdoor Unit:

Cooling (°F DB)	14 ~ 118
Heating (°F WB)	-13 ~ +65

Indoor Unit:

Cooling (°F WB)	53 ~ 75
Heating (°F DB)	60 ~ 86

Electrical:

Power Supply (V/Hz/Ø)	208-230/60/1
-----------------------	--------------

System Data:

Refrigerant Type	R410A
Refrigerant Control	EEV
Refrigerant Charge (lbs.)	2.54
ODU Sound Pressure (Max., Cool / Heat) (±1 dB[A]) ³	48/50
IDU Sound Pressure Cooling (H/M/L/Sleep) (±1 dB[A]) ³	42/36/26/22
Heating (H/M/L) (±1 dB[A]) ³	42/36/26
ODU Net / Shipping Weight (lbs.)	93.9/103.2
IDU Net / Shipping Weight (lbs.)	25.1/29.5
Heat Exchanger Coating	GoldFin™

Fan:

ODU Type	Propeller
IDU Type	Cross Flow
Fan Speeds (Fan/Cool/Heat)	6 / 6 / 6
Quantity (ODU + IDU)	1 + 1
Motor/Drive	Brushless Digitally Controlled/Direct
ODU Max. Air Flow Rate (CFM)	1730
IDU Air Flow Cooling, Max/H/M/L (CFM)	530 / 424 / 353 / 184
Heating, Max/H/M/L (CFM)	530 / 424 / 353 / 184
Dehumidification (pts./hr.)	3.59

Notes:

1. Acceptable operating voltage: 187V-253V.
2. Piping lengths are equivalent.
3. Sound Pressure levels are tested in an anechoic chamber under ISO Standard 3745.
4. All communication / connection (power) cable from the outdoor unit to the indoor unit is field supplied and must be a minimum of four-conductor, 14 AWG, stranded, shielded or unshielded (if shielded, it must be grounded to the chassis of the outdoor unit only), and must comply with applicable local and national codes.
5. See Engineering Manual for sensible and latent capacities.
6. Power wiring cable size must comply with the applicable local and national code.
7. The indoor unit comes with a dry helium charge.
8. This data is rated 0 ft. above sea level, with 24.6 ft. of refrigerant line and a 0 ft. level difference between outdoor and indoor units.
9. PQCA0 low ambient Cooling kit is not compatible with Prestige lineup.
10. Continuous operation down to -22°F.
11. Must follow installation instructions in the applicable LG installation manual.



For a complete list of available accessories, contact your LG representative.

For continual product development, LG reserves the right to change specifications without notice.

© LG Electronics Canada, Inc., North York, ON. All rights reserved. "LG Life's Good" is a registered trademark of LG Corp. /www.lgdfs.ca

SB_SZ_DUALCOOL™ Prestige_LA120HYV3_2023_01

Job Name/Location: _____

LA120HYV3

DUALCOOL™ PRESTIGE Single Zone Inverter

Outdoor Unit (ODU) - LAU120HYV3 Indoor Unit (IDU) - LAN120HYV3

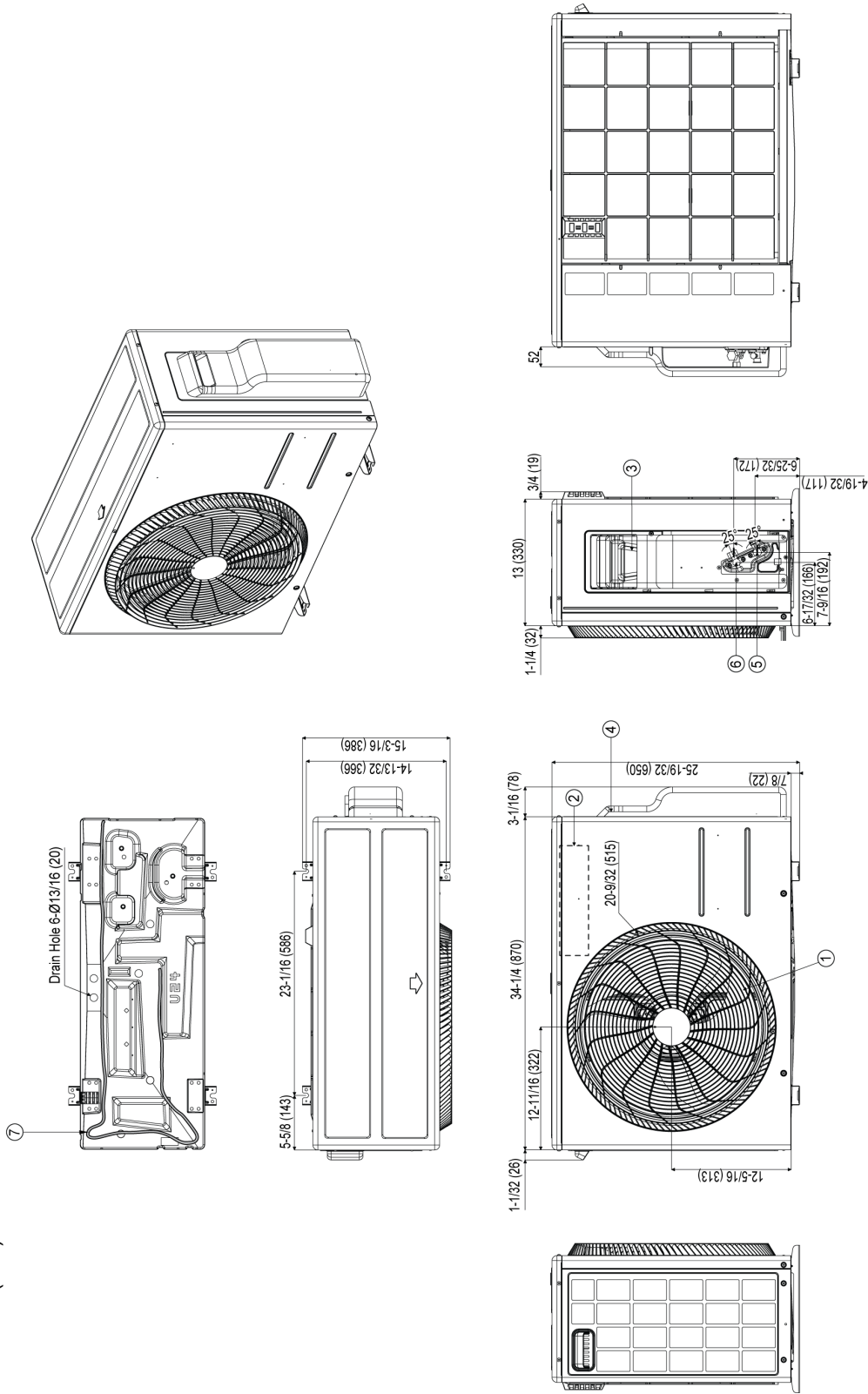


Tag No.: _____

Date: _____

PO No.: _____

Unit : inch (mm)



No	Name	Description
7	Sump Heater	
6	Liquid Pipe Connection	Flare Joint
5	Gas Pipe Connection	Flare Joint
4	Service Valve Cover	
3	Power and Communication Cable Hole	
2	Control Box	
1	Air Outlet	

LA120HYV3

DUALCOOL™ PRESTIGE Single Zone Inverter

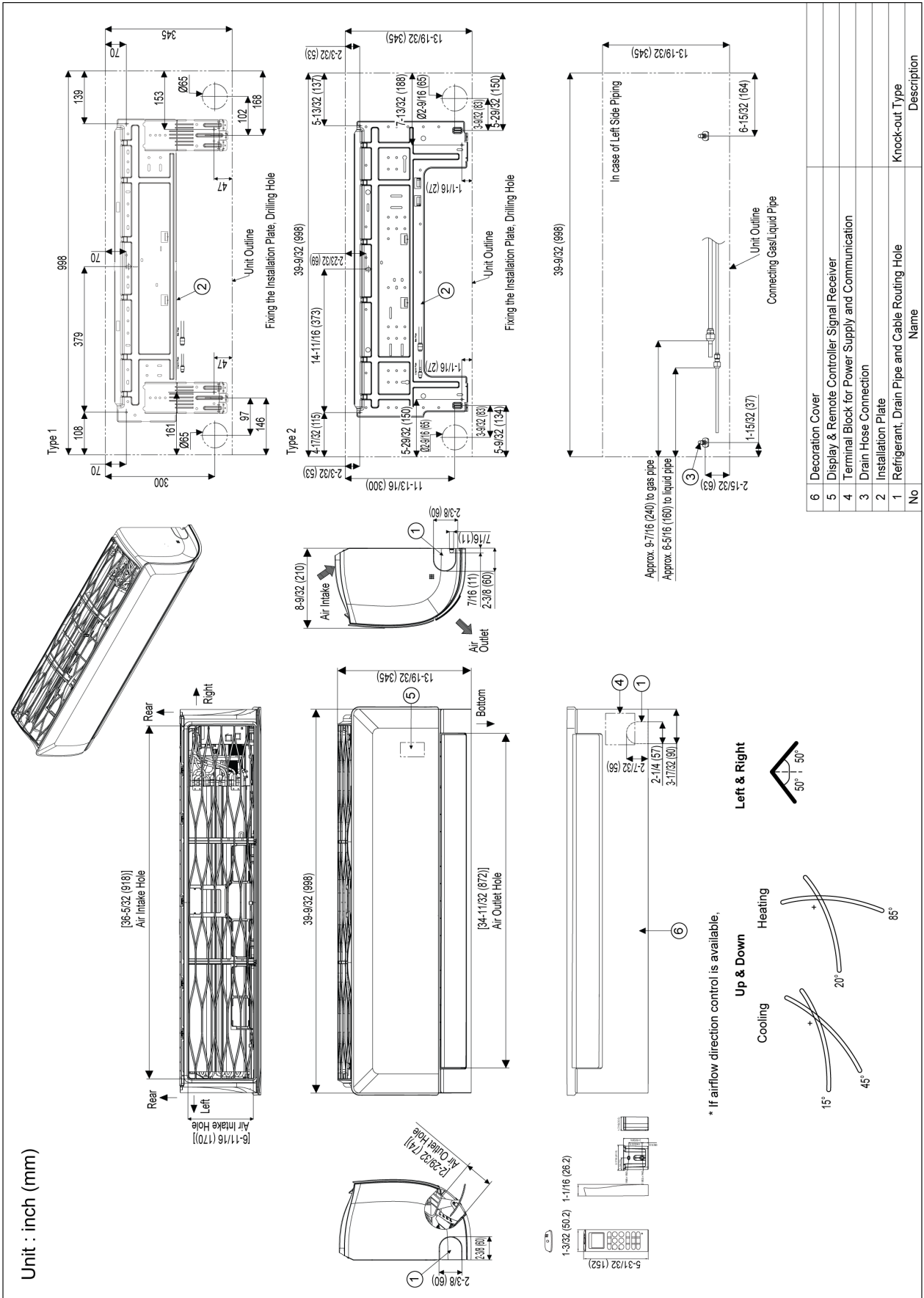
Outdoor Unit (ODU) - LAU120HYV3 Indoor Unit (IDU) - LAN120HYV3



Tag No.: _____

Date: _____

PO No.: _____



No	Name	Knock-out Type	Description
6	Decoration Cover		
5	Display & Remote Controller Signal Receiver		
4	Terminal Block for Power Supply and Communication		
3	Drain Hose Connection		
2	Installation Plate		
1	Refrigerant Drain Pipe and Cable Routing Hole		